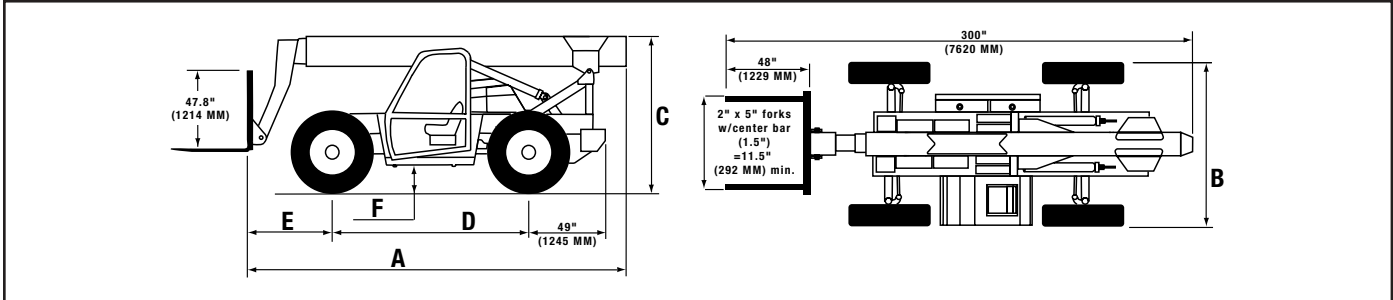


# VR-843C Material Handlers

## SPECIFICATIONS



MACHINE DIMENSIONS*	FT / IN	MM
Overall Length (less forks) <b>A</b>	21' 0"	6401
Overall Width <b>B</b>	8' 6"	2591
Overall Height <b>C</b>	7' 11"	2413
Wheelbase <b>D</b>	10' 8"	3251
Drive Axle to Carriage Front <b>E</b>	4' 9"	1448
Ground Clearance <b>F</b>	1' 4"	406
Shipping Weight**	22,230 lb	10105 kg
Tread Width	7' 3"	2210
Boom Extension	23' 6"	7163
Max Forward Reach	28' 2"	8585
Max Lift Height	43' 1"	13132
Max Reach @ Max Lift Height	4' 4"	1321
Practical Placement Height	41' 2"	12550
Max Reach @ Practical Placement Height	7' 8"	2337
Max Reach Below Grade w/ Standard Carriage	2' 10"	864
TURNING RADIUS	FT / IN	MM
To Outside of Tires	12' 3"	3683
To Inside of Tires	7' 2"	2184
PERFORMANCE	LB	KG
<b>WITH STABILIZERS (OPTIONAL) DOWN</b>		
Boom Retracted @ Max Height	8,000	3636
Capacity @ Max Height	8,000	3636
Capacity @ Max Reach	3,300	1500
<b>WITHOUT (OPTIONAL) STABILIZERS</b>		
Boom Retracted @ Max Height	8,000	3636
Capacity @ Max Height	6,000	2727
Capacity @ Max Reach	1,900	864
<b>FRAME LEVELING</b>	Right 11°	
	Left 11°	

**43-ft 1-in**  
Maximum Lift Height

**110 hp**  
EPA Tier II  
Turbocharged Diesel Engine

**8,000 lb**  
Rated Lift Capacity

\* Vehicle dimensions with 24-in (600 mm) load center.

\*\* Lightest machine — no attachment, air-filled tires and open ROPS.



# VR-843C Material Handlers

## SPECIFICATIONS

<b>BOOM</b>	
Boom Type	3-stage
Max Boom Angle	70°
Min Boom Angle	-6°
Telescope Extend Speed	15.7 seconds
Telescope Retract Speed	13.9 seconds
Boom Raise	10.6 seconds
Boom Lower	8.9 seconds
Carriage Rotation	113°
<b>ENGINE</b>	
Make / Model	Cummins QSB4.5-30-T
Fuel / Cooling	Diesel / liquid
SAE net hp	110 hp (82.1 kW)
Fuel Tank Capacity	35 gal (132 L)
<b>OPERATION</b>	
Steering	2-wheel, 4-wheel or crab steering available controlled by steering wheel
Drive	All-wheel drive
Hydraulics	Boom lift, telescope, carriage rotate & auxiliary boom circuit controlled by single joystick. Optional stabilizers controlled by console switch.
Transmission	3-speed powershift with soft shift

### STANDARD FEATURES

- Single joystick control
- Air cleaner restriction indicators
- Back-up alarm
- Boom angle indicator
- Cup holder
- Engine coolant heater
- Frame level indicator
- Horn and seat belt
- Lockable engine hood
- 12V power port
- Lockable battery cover
- Lockable fuel tank cap
- Lockable hydraulic tank cap
- Lockable toolbox
- Rear wiper/washer

### OPTIONS / ACCESSORIES

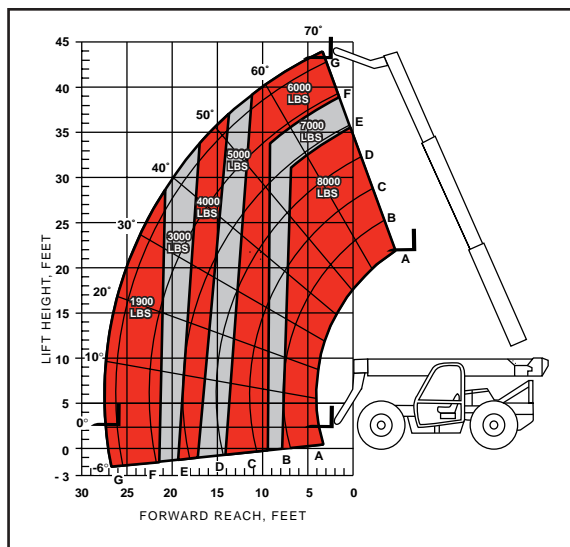
- Air conditioning
- All-weather cab w/ heat
- Boom lights
- Dual joystick control
- Ether cold start
- Fenders
- Front and rear worklights
- Full-suspension seat
- Pintle hook
- Road lights
- Rotating beacon
- Single auxiliary hydraulics
- Specialty-tire options
- Stabilizers
- Turn signals / flashers / brake lights
- Vandal protection

### ATTACHMENTS\*

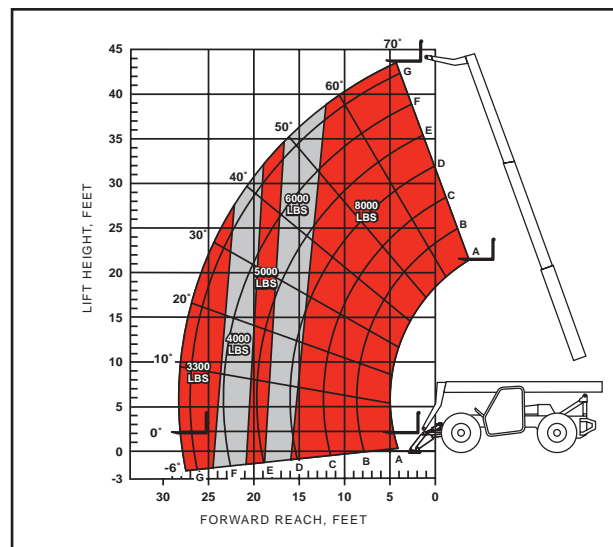
- Buckets
- Drywall handler
- Side-tilt carriages
- Swing carriages
- Truss boom
- Various width carriages

\* Contact your local Ingersoll-Rand distributor for additional attachment options.

### VR-843C without stabilizers



### VR-843C with stabilizers (optional) down



Always read and understand the published rated load capacity for the material handler model you are operating and do not exceed it.  
Load ratings per ASME B56.6 — 1992.

