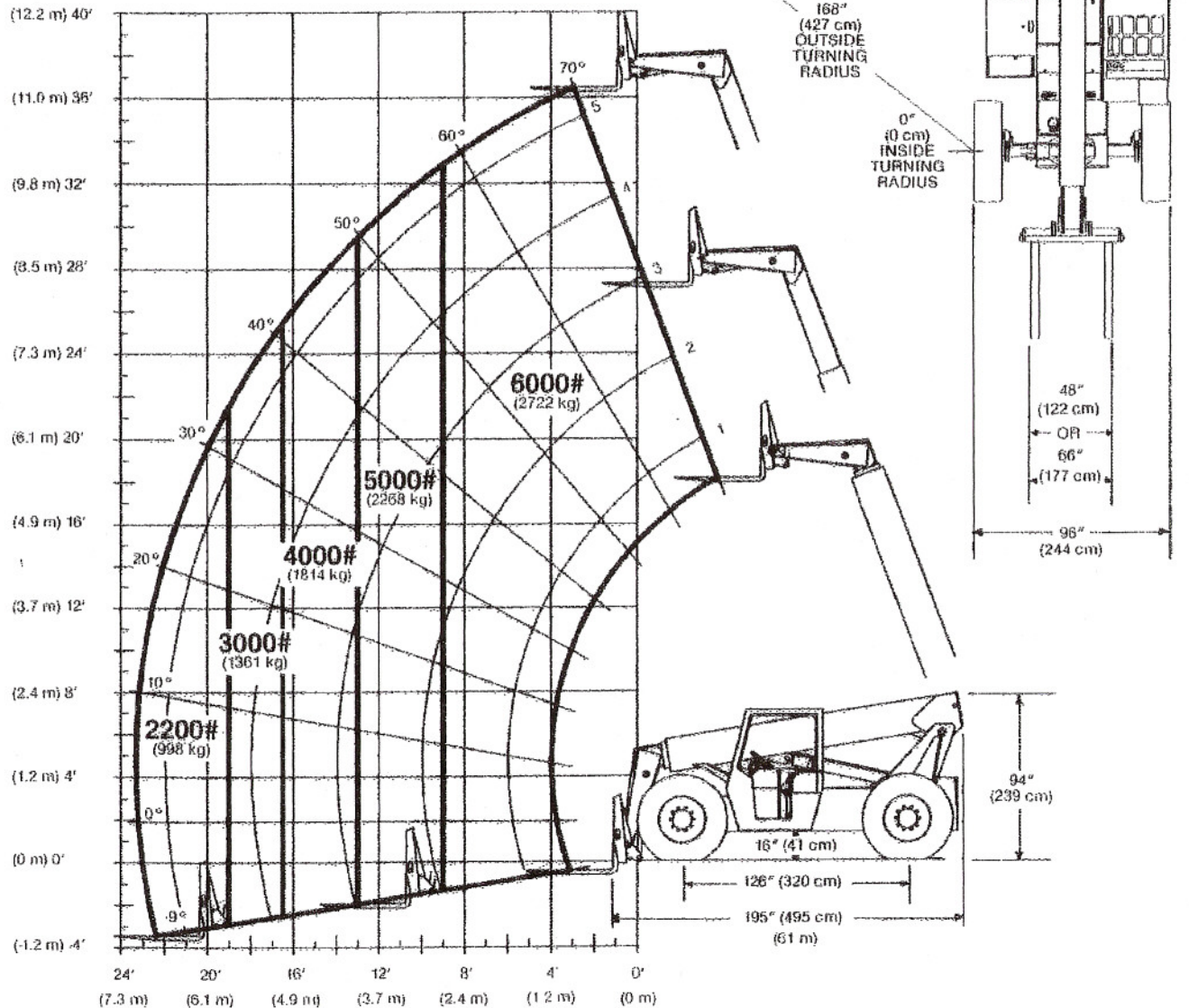


532C-6/534C-6

**3-SECTION BOOM
TWO-WHEEL, FOUR-WHEEL DRIVE
ROUGH TERRAIN, PIVOT STEER
6,000 LB. (2722 kg.) MAX CAP.**



PERFORMANCE SPECIFICATIONS

RATED CAPACITY at 24" (610 mm)

Load Center	
Max. Lift Capacity	6,000 lbs. (2722 kg)
LIFT SPEED	
(Loaded)	100 f.p.m. (30.5m/min)
OWER SPEED	
(Loaded)	130 f.p.m. (39.6m/min)
TRAVEL SPEED	
(Lo-Hi Gear)	7.5-16 MPH (12-25.7km/hr)

OPERATING WEIGHT w/48" (122 cm)

Carriage and Perks ... 17,830 lbs
(8088 kg)

TRACTIVE EFFORT (Loaded)

532C-6—9,000 lbs (4082 kg)
@ 1 MPH (1.6 km/hr)

534C-6—12,800 lbs (5808 kg)
@ 1 MPH (1.6 km/hr)

IMPORTANT

Rated lift capacities shown are with machine on a firm, level surface with undamaged, properly inflated tires. Machine specifications and stability are based on rated lift capacities at specific boom angles and boom lengths. If specifications are critical, the proposed application should be discussed with your dealer.

DO NOT exceed rated lift capacity loads, as unstable and dangerous machine conditions will result. DO NOT tip the machine forward to determine allowable load.

Handling personnel with the boom is not authorized.

GRADALL®

532C-6/534C-6 MULTI-PURPOSE MATERIAL HANDLER

ACCESSORIES

QUICK SWITCH® ADAPTER
CAB ENCLOSURE
HEATER & DEFROSTER
LIGHT PACKAGE
VANDAL KIT
AUXILIARY HYDRAULIC CIRCUIT
COLD START PACKAGE
RADIAL TIRES
LEFT HAND TILT/SWAY CONTROL

ATTACHMENTS

48" (122 cm) CARRIAGE —
PIN ON
48" (122 cm) CARRIAGE —
FOR QUICK SWITCH®
66" (168 cm) CARRIAGE —
FOR QUICK SWITCH®
48" (122 cm) SLOPE PILE CARRIAGE —
FOR QUICK SWITCH®
DRYWALL CARRIAGE —
FOR QUICK SWITCH®
100° SWING CARRIAGE —
FOR QUICK SWITCH®
2" x 4" x 48" (5 cm x 10.2 cm x 122 cm) —
PALLET FORKS
2" x 2" x 48" (5 cm x 5 cm x 122 cm) —
CUBING FORKS
INSTANT HOOK —
FOR QUICK SWITCH®
6' (1.8 m) VERTICAL MAST —
FOR QUICK SWITCH®
6' (1.8 m) SWING MAST —
FOR QUICK SWITCH®
10' (3 m) TRUSS BOOM —
FOR QUICK SWITCH®
.75 CY (.57 m³) BUCKET —
FOR QUICK SWITCH®
1.25 CY (.93 m³) BUCKET —
FOR QUICK SWITCH®

DRIVE LINE SPECIFICATIONS:

ENGINE

Make and Model	Cummins 4B3.9
Fuel	No. 2 Diesel
Cycles	4
No. of Cylinders	4
Displacement	239.3 cu. in. (3.92 L)
Rated Speed	2500 rpm
Max. Gross BHP	76 HP (57 kw)
Fuel Tank	40 gal. (151.4 L)

ENGINE FILTERS

Two-stage dry air cleaner — centrifugal pre-cleaner with continuous dust ejector PLUS cleanable and replaceable dry filter element. Visual service indicator.
Replaceable element-type fuel filter/water separator.
Full-flow spin-on engine oil filter.

ELECTRICAL SYSTEM

Voltage — 12V
Battery — (1) 800 Cold Cranking AMP at 0°F
Alternator — 63 amp

TRANSMISSION

Self-contained, swashplate design, variable displacement, over center, piston pump.
Neutral start switch.
Full 4-wheel inching (534C-6 only).
2WD — 4WD switch on dash (534C-6 only).
Forward, neutral, reverse lever on left of steering column.
Single foot pedal control provides both braking and inching for lifting while maneuvering vehicle.
Electro/hydraulic traction lock valve for superior tractive effort (534C-6 only).

AXLES

Planetary hubs with piston motors on rear axle (534C-6 only).
Piston motor-driven planetary front axle with high-bias differential.

BRAKES

Service — Hydraulic dry disc brake on each front wheel.
Hydraulic dynamic braking on front axle and both rear wheels.
Parking — Spring-applied electro/hydraulic release, fail safe.
Light on dash indicates when brake is on.

TIRES

13.00x24 — G2-type (common wheel).
Optional: 13.00R24 radial tires.

STEERING

Hydraulic power steering with manual backup.
Rear-wheel steering, 90° pivot around either front tire.

INSTRUMENTS

Volt meter, hourmeter, engine oil pressure gauge, fuel gauge, water temperature gauge, horn, back-up alarm.
Optional: Locking metal vandal cover.

CONTROLS

Grouped for operator comfort and convenience.
Boom lift and crowd on single joystick.
Right-side tilt and sway levers.
Foot throttle.
Floor-mounted traction lock switch (534C-6 only).
Optional: Single-lever tilt/sway control mounted on left side of dash.

HYDRAULIC SYSTEM — DRIVE

5000 PSI closed loop with piston pump and motors.
All hydraulic connections ORS and Code 62 O-ring flanges.
Integral reservoir with implement hydraulics.

HYDRAULIC SYSTEM — IMPLEMENT

Single-section gear — direct driven from engine.
40 gal. (151.4 L) system.
8 micron absolute filtration with visual service indicator.
Lift, crowd, tilt and sway cylinders have safety checks to prevent dropping of load in the event of hose or other hydraulic failure.

GRADALL®

406 Mill Ave. SW, New Philadelphia, Ohio 44663
Phone 216-339-2211 Fax 216-339-8468